

# P2R6822E4 1080P Day & Night Fixed IR Mini Dome IP Camera

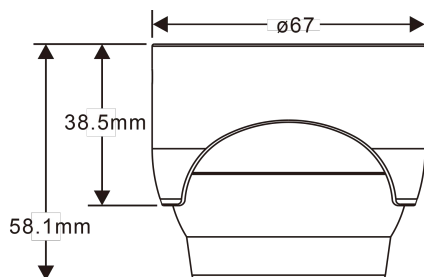
www.meritlilin.com



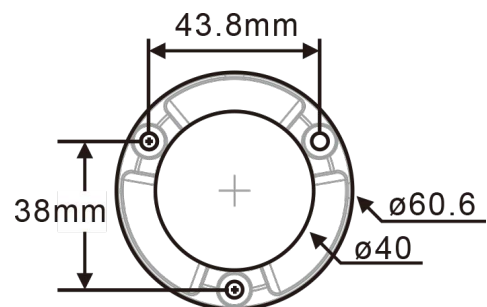
- ▶ Full HD 2 megapixel CMOS image sensor
- ▶ 2MP H.265/HEVC and H.264/AVC high-performance video compression
- ▶ Simultaneous streaming of H.265 and H.264 encoded streams
- ▶ Smart H.264/H.265 supported
- ▶ 3D noise reduction (MCTF)
- ▶ 2D WDR function
- ▶ HDR function up to 120dB
- ▶ Digital PTZ supported
- ▶ IVS supported
- ▶ Tampering / Audio / Motion / Network lost detection event function
- ▶ SMART event
- ▶ High efficiency IR LED, radiant distance up to 30m
- ▶ Day & Night (IR cut removable)
- ▶ Built-in highly sensitive microphone
- ▶ 1-way audio supported
- ▶ ONVIF Profile S and Profile T supported
- ▶ IP67 rain and dust resistant

## Dimensions

Ø67 × 58.1 (H) mm



## Diagram of mounting holes:(unit in mm)



## Wind and Rain Standards

Meet international IP67 standards for dust and moisture resistant allowing you to install cameras in environments subject to wind and rain



## Day and Night Operations via Removal of the IR-cut filter

P2R6822E4 camera was designed using a mechanical IR cut filter for increased IR sensitivity resulting in improved night time images. The removable IR-cut filter allows day and night operations even in the low lux condition providing outstanding vision



## Sense Up+

Deliver outstanding video outputs in poor light conditions without experiencing motion blur. You can see video clearly even during nighttime without sufficient lighting support



## 3D Noise Reduction

Remove noise from a signal. Suppressing noise in an image in low light conditions and able to retain quality videos at the same time



## Wide Dynamic Range (WDR)

Wide Dynamic Range (WDR) displays details of both the brightest and darkest areas. WDR can extend image visibility under high contrast lighting scenes and improve image quality



## High Dynamic Range

An High Dynamic Range (HDR) image is made by taking 3 frames of the same scene and each at different shutter speeds to display details of both the darkest and brightest areas. HDR can extend image visibility under high contrast lighting scenes and improve image quality



## Privacy Masking

Privacy Masking is a feature used to protect personal privacy by concealing private areas in the camera's field of view. Doorways and house windows for example are not subject to surveillance



## Video Security App

Available on Android and iOS – LILIN Pro app provides security alarm push notification, real-time live viewing, and remote video playback



## Audio Detection

With Audio Detection technology, an alarm is triggered based on ambient sound conditions as the threshold



## Motion Detection

Detect motion and capture the event. Motion in the selected area will provoke an alert.



## 1080P Day & Night Fixed IR Mini Dome IP Camera

### Video Performance

Model	P2R6822E4
Min. Illumination	Color : 0.004 Lux at F1.6 ; B/W : 0.001 Lux at F1.6 ; 0 Lux with IR LED ON

### Lens / Night Vision (Infrared LED)

Focal Length	4mm
Iris	F1.6
Iris Control	Fixed IRIS
Angle of View	91.0° (H) 48.0° (V) 109.0° (D)
Peak Wavelength	850nm
Beam Spread	60°
Radiant Distance	30M

### Sensor

Pick Up Element	1/2.8" CMOS image sensor
Effective Pixels	1945 (H) × 1097 (V) = 2,133,665 (Pixels)

### Certifications

CE	CE / FCC
FCC	Yes, EMI Class A
IP Rating	IP67

### PC Requirements

CPU	Intel® Core™ i7 or higher grade
OS	Windows 7 or above
RAM	8GB or above, Dedicated Graphics Card
Web Browser	Microsoft® Internet Explorer® 9 or above Microsoft® Edge (IE mode)

### Input / Output

Audio	One-way Audio, G.711 u-law / PCM / AAC, Built-in Microphone
-------	---

### Video Streaming

Video Compression	H.265/HEVC main profile, H.264 main and high profile , Motion JPEG
Video Streaming	RTP/HTTP, RTP/TCP, RTP/UDP, Multicast 4 configurable streams in H.265 and H.264 and Motion JPEG, configurable frame rate and bandwidth
Number of Streams	4
Video Bitrate	128Kbps – 12Mbps; Frame rate and bit rate controllable on-the-fly; VBR / CBR / GOP supported, Fixed bitrate, Smart H.264/H.265

### Network Security

Authentication	Digest HTTP authentication, RTSP authentication, TLS, 802.1x, DDNS via HTTPS
Address Filter	IP address filter, MAC address filter
Access	Multiple user access levels with password protection
User accounts	10 user accounts available
Multi IP Address	Yes

### Video Resolutions (H x V)

Resolution	2MP(1920 × 1080), 1.3MP(1280 × 960), 1MP(1280 × 720), D1(720 × 480, 720 × 576), VGA(640 × 480), CIF(352 × 240)
Maximum Frame Rate	Normal mode 60Hz: 60 fps @ 1920 × 1080 50Hz: 50 fps @ 1920 × 1080 HDR mode 60Hz: 30 fps @ 1920 × 1080 50Hz: 25 fps @ 1920 × 1080

### Mechanical

Dimension	Ø67 × 67(H) mm
Weight	265g
Casing Material	Aluminum alloy
Window	Ø42.5 Heat Resistant Glass

### Video Functions

Scanning System	Progressive Scan
Infrared Cut Filter	Auto / Day (Color) / Night (Mono) / Schedule
White Balance	ATW-NARROW / ATW-WIDE / AWC(MANUAL)
Back Light Compensation	Yes
Electrical Shutter	1/30(1/25)s – 1/30000s
Sense Up	Off / x2 / x4 / x8 / x16 / x32
Sense Up+	Yes
Auto Gain Control	60 dB Variable Gain
S/N Ratio	More than 50dB (AGC off)
3D Noise Reduction	Off / 1 – 32 Selectable
2D WDR	Off / Auto / x2 / x3 / x4 (by normal mode) Support Onvif
High Dynamic Range	Up to 120dB (by HDR mode, 2 shutter line interleave)
Privacy Masking	Off / On (4 zones)
Image Effects	Brightness, Contrast, Hue, Saturation, Sharpness, Mirror, Flip, Rotation, Overexposure Reduction
EV (Exposure Value)	Adjustable
Lens distortion correction (LDC)	Yes

### Integration

Mobile Application	Integrated to LILIN mobile app (LILIN Pro) iPhone, iPad, Android support
Video Management	ONVIF Profile S / ONVIF Profile T / IVS events, LILIN Navigator Enterprise 5.0 support, Third party VMS through LILIN HTTP API
Maintenance	Firmware update via HTTP and IP Scan; Firmware available at website
IVS Basic 1.0	Motion Detection, Tampering Detection, Advanced Motion Detection, Traffic Light Detection, Tripwire Detection, Object Counting
IVS Advanced 2.1 (Optional)	Unattended Object Detection, Missing Object Detection, Crowd Detection, Loitering Detection, Face Detection
IVS Advanced 2.2 (Optional)	Detection Zone for Car and Human
Event Triggers	Motion / Tamper / Audio / Network lost detection / SmartEvent
Event actions	FTP / SMTP / HTTP post / SAMBA / SMTP Trap
Languages	English, Traditional Chinese, Simplified Chinese, Spanish, Italian, Turkish, Russian, Korean, French, Arabic, Hungarian, Japanese

### Network

Ethernet	10/100 Mbps Base-T, RJ-45
ePTZ & Digital Zoom	Yes, ROI (Region of Interest)
OSD	Position configurable text overlay for date, time, camera ID, event status and watermark with customizable user demand data
CPU, Memory	Embedded SoC ARM Cortex-A9, 816MHz, 512MB DDR3L, 256MB flash memory
OS	Embedded Linux 3.10
Network Protocols	IPv4, IPv6, TCP, UDP, HTTP, HTTPS, SMTP, MQTT, QoS, SNMP V1/V2/V3, SNMP Trap and heart beat, NTP, DDNS, UPnP, FTP, ARP, DHCP, PPPoE, DNS, RTSP, RTCP, Telnet, ICMP, IGMP, ONVIF Profile S, ONVIF Profile T, SDDP, Bonjour , 802.1x, SSL/TLS
Max number of online users	10 simultaneous users
Video Display	LILIN Universal ActiveX , LILIN Java Applet
Watermark	BMP logo
Log	Event & operation log & IVS event log
Schedule	Support holiday list
Network Storage	NAS (Support SAMBA/CIFS)

### Power and Environment

Starting Temperature	-10°C – +50°C (14°F – 122°F)
Operating Temperature	-40°C – +50°C (-40°F – 122°F)
Storage Temperature	-25°C – +60°C (-13°F – 140°F)
Humidity	0% – 90% RH
Power Supply	DC12V ±10% / PoE (IEEE 802.3af compliant)
Power Consumption	DC12V, 6W / PoE, 7.5W

### Warranty

Warranty	3 Year(s)
----------	-----------