

# Z5R8952X3

5MP Day & Night Auto Focus IR IP Bullet Camera



## Auto Focus, 5MP High Resolution

The Z5 series cameras with auto-zoom lens can effectively and precisely capture the details of the object, which is more advantageous in applications that require magnified view.

H.265 encoding also saves bandwidth to stream the video in a smart manner.

### Features

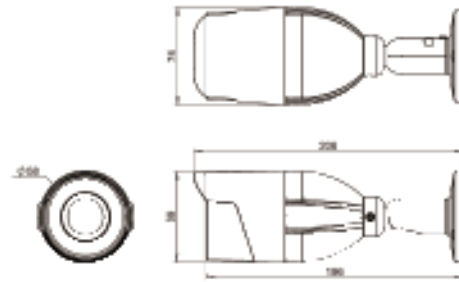
- 5 megapixel CMOS image sensor
- 5MP H.265/HEVC and H.264/AVC high-performance video compression
- Simultaneous streaming of H.265 and H.264 encoded streams
- Auto focus with zoom / focus motorized lens
- 3D noise reduction (MCTF)
- 2D WDR function
- DWDR function up to 120dB
- High efficiency IR LED, radiant distance up to 30m
- Day & Night (IR cut removable)
- Digital I/O : 1 in, 1 out
- ONVIF Profile S supported
- IP67 rain and dust resistant
- IK10 Vandal resistant approve

| Video Performance                  |  |
|------------------------------------|--|
| Minimum Illumination               | Color : 0.05 Lux at F1.6 ; B/W : 0.01 Lux at F1.6 ; 0 Lux with IR LED ON   |
| Lens / Night Vision (Infrared LED) |  |
| Focal Length                       | 2.8~12mm (zoom / focus motorized)  |
| Iris / Aperture                    | F 1.6(W) - F 3.3(T)  |
| Iris Control                       | DC-IRIS  |
| Angle of View (H)                  | 90.4° (W) – 29.8° (T)  |
| Angle of View (V)                  | 65.5° (W) – 22.1° (T)  |
| Angle of View (D)                  | 119.2°(W) – 37.0° (T)  |
| Peak Wavelength                    | 850nm  |
| Beam Spread                        | 60°  |
| Radiant Distance                   | 30M  |
| Sensor                             |  |
| Pick Up Element                    | 1/2.7" CMOS image sensor   |
| Effective Pixels                   | 2608(H) X 1960(V) = 5,111,680 (Pixels)   |
| Light Sensor                       | Yes  |
| Certifications                     |  |
| CE                                 | Yes, EMI Class A   |
| FCC                                | Yes, EMI Class A   |
| IP Rating                          | IP67   |
| Vandal Resistant Rating            | IK10   |
| PC Requirements                    |  |
| CPU                                | Intel® Core™ i7 or higher grade  |
| OS                                 | Windows 7 or above   |
| RAM                                | 8GB or above, Dedicated Graphics Card  |
| Web Browser                        | Microsoft® Internet Explorer® 9 or above<br>Microsoft® Edge (IE mode)  |
| Input / Output                     |  |
| Alarm Input / Output               | Digital 1 input (TTL, +3 – 5VDC) / 1 Output (MOS Relay contact N.O., Load. max. 40VDC,450mW/300mA,450mW), Terminal block |
| Video Streaming                    |  |
| Video Compression                  | H.265/HEVC Main Profile, H.264 Main Profile , Motion JPEG  |
| Video Streaming                    | RTSP/UDP, RTSP/TCP, configurable streams in H.265 and H.264 and Motion JPEG, configurable frame rate and bandwidth       |
| Number of Streams                  | 3  |
| Video Bitrate                      | 128Kbps - 8192Kbps, Frame rate and bit rate controllable on-the-fly, VBR / CBR / GOP supported, H.264/H.265              |

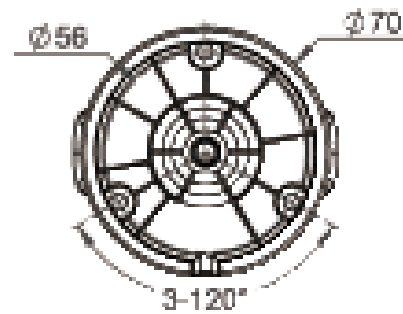
| Network Security          |   |
|---------------------------|---|
| Authentication            | Digest HTTP authentication, RTSP authentication, DDNS via HTTPS   |
| Access                    | Multiple user access levels with password protection  |
| User accounts             | 7 user accounts available   |
| Video Resolutions (H x V) |   |
| Resolution                | 5MP(2592 × 1920), 4MP(2304 × 1728), 3MP(2304x1280), 2MP(1920 × 1080), 1.3MP(1280 × 960), 1MP(1280 × 720), 720 × 576, 720 × 480, 720 × 384, VGA(640 × 480), CIF(352 × 256) |
| Maximum Frame Rate        | 2592x1920 / 20 fps  |
| Video Functions           |   |
| Scanning System           | Progressive Scan  |
| Infrared Cut Filter       | Auto / Day (Color) / Night (Mono) / Schedule  |
| White Balance             | Auto / Manual   |
| Electrical Shutter        | 1/30(1/25)s – 1/20000s  |
| Sense Up                  | Off / x2 / x4   |
| Sense Up+                 | Yes   |
| Auto Gain Control         | 36 dB Variable Gain   |
| S/N Ratio                 | More than 48dB (AGC off)  |
| 3D Noise Reduction        | Off / 1 – 32 Selectable   |
| 2D WDR                    | Off / Auto / x2 / x3 / x4   |
| High Dynamic Range        | Up to 120dB (by DWDR mode)  |
| Privacy Masking           | Off / On (4 zones) color mask configurable  |
| Image Effects             | Brightness, Contrast, Hue, Saturation, Sharpness, Mirror, Flip  |
| Auto Focus                | One Push  |
| EV (Exposure Value)       | Adjustable  |
| Integration               |   |
| Mobile Application        | Integrated to LILIN mobile app (LILIN Pro) iPhone, iPad, Android support  |
| Video Management          | ONVIF Profile S / LILIN Navigator Enterprise 5.0 support, Third party VMS through LILIN HTTP API  |
| SD Card Recording         | Support (128GB) Micro SD/SDHC/SDXC card for circular recording (card is not included)   |

|                              |   |
|------------------------------|---|
| Maintenance                  | Firmware update via HTTP and IP Scan; Firmware available at website   |
| Event Triggers               | Motion / Alarm / Network lost detection / Global Counter / Virtual Input / Metadata   |
| Event actions                | FTP / SMTP / HTTP POST / SD Card / SAMBA / Alarm / Global Counter / Virtual Input / Push service notification                     |
| Languages                    | English, Traditional Chinese, Simplified Chinese, Spanish, Italian, Turkish, Russian, Korean, French, Arabic, Hungarian, Japanese |
| <b>Network</b>               |   |
| Ethernet                     | 10/100 Mbps Base-T, RJ-45   |
| OSD                          | Text overlay for date, time, and camera name (position configurable text overlay for date, time, camera name)                     |
| CPU, Memory                  | SoC ARM Cortex-A7 Single Core 800MHz, Embedded 128MB DDR3, 128MB flash memory   |
| OS                           | Embedded Linux 3.10   |
| Network Protocols            | IIPv4, TCP, UDP, HTTP, HTTPS, SMTP, NTP, DDNS, FTP, ARP, DHCP, DNS, RTSP, RTCP, Telnet, ICMP, IGMP, ONVIF Profile S, SSL/TLS      |
| Max number of online users   | 7 simultaneous users  |
| Video Display                | LILIN Universal ActiveX   |
| Log                          | Event & operation log & IVS event log   |
| Network Storage              | NAS (Support SAMBA/CIFS)  |
| <b>Power and Environment</b> |   |
| Starting Temperature         | -10°C – +50°C (14°F – 122°F)  |
| Operating Temperature        | -30°C – +50°C (-22°F – 122°F)   |
| Storage Temperature          | -25°C – +60°C (-13°F – 140°F)   |
| Humidity                     | 0% – 90% RH   |
| Power Supply                 | DC12V ±10% / PoE (IEEE 802.3af compliant)   |
| Power Consumption            | DC12V, 7.7W / PoE, 10W  |
| <b>Mechanical</b>            |   |
| Dimension                    | 74(W) × 69(H) × 206(D) mm   |
| Weight                       | 575g  |
| Casing Material              | Aluminum alloy  |
| Window                       | Ø61 Heat Resistant Glass  |
| Color (RAL Number)           | White   |
| <b>Warranty</b>              |   |
| Warranty                     | 2 Year(s)   |

## Dimensions



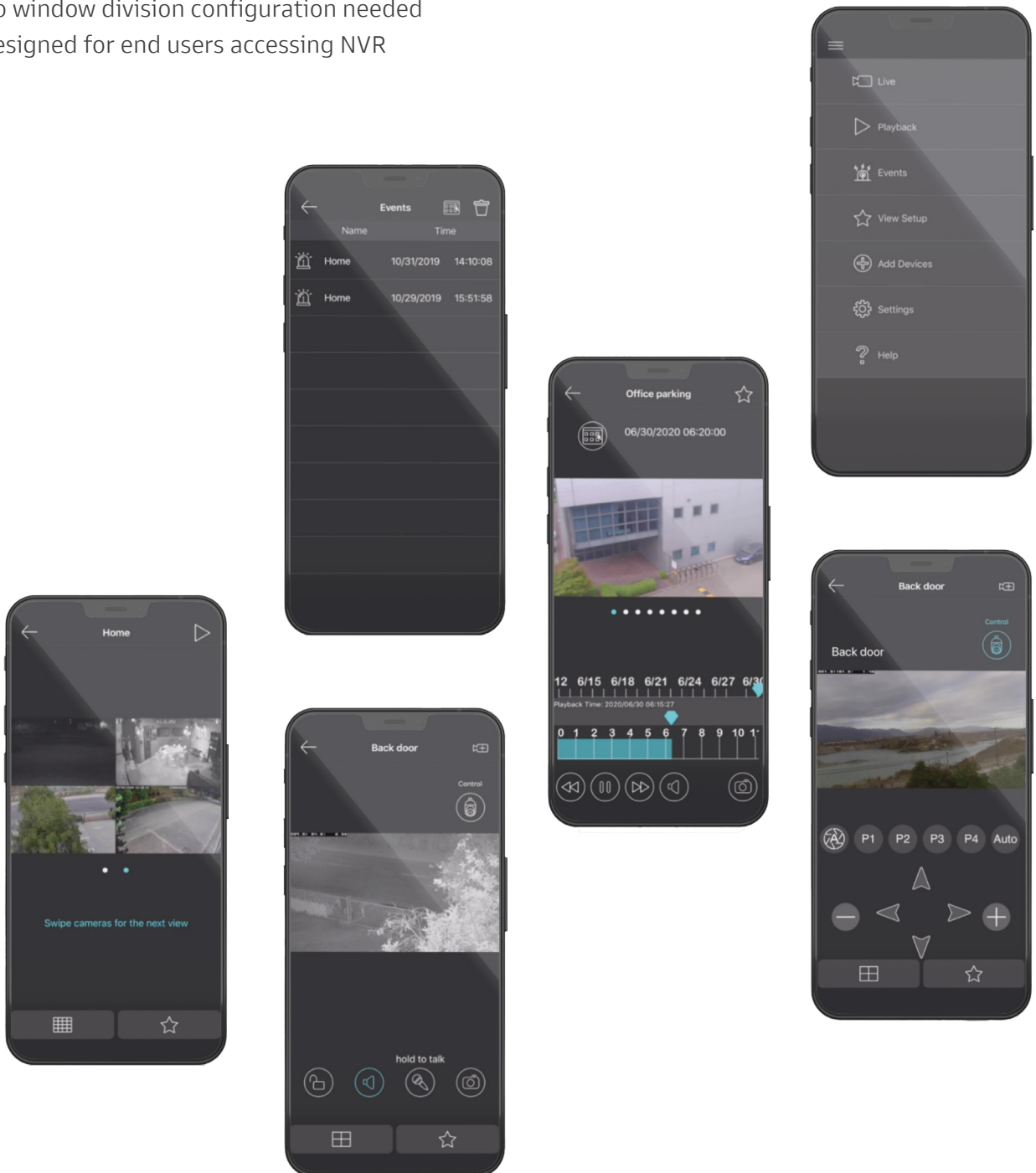
## Diagram of mounting holes



## Easy access to NVRs

LILINHome App is designed for accessing live video and recording for LILIN NAVs VMS, NVRs, and cameras. Two-way audio, push notification, digital output control, and PTZ control are supported by the App. Easy configuration for LILIN P2P NVR is supported, no complicate camera settings. Secured credentials stored and cloud configurations are also supported.

- No cameras of NVRs configuration needed
- No window division configuration needed
- Designed for end users accessing NVR





## Totally NAV Compatible

Navigator 3.0 Corporate version supports multiple input sources, each station can record and manage up to 108 channels and support alarm trigger and output function. It can support POS system, ANPR, Face Recognition, AIDA recognition. It can provide complete remote software to perform multi-site monitoring and statistics display, which can be used for various applications with LILIN IO box. It provides a complete TV wall and eMap alarm display. And a very reliable disconnection recovery and backup mechanism.

- Manage and record 108 IP cameras per station
- User can decide to record main stream or substream
- Integrated alarm management for various alarm outputs
- User-friendly UI and TV Wall application are supported
- Compatible with third party ONVIF Profile S IP camera
- User account customizable
- Support failover up to 36 channel per server, can monitor up to 8 recording server
- Several alarm input with logical control and support schedule management
- Support 4K UHD camera, 120FPS camera
- Support corridor mode and increase the monitoring area in the vertical narrow environment

\*Specifications are subject to change without notice.  
Please contact our regional sales for latest information



## Merit LILIN Ent. Co., Ltd.

With over 40 years of experience in the surveillance industry, LILIN is the first ONVIF-compliant camera manufacturer and expert with leading achievements in video transmission and analysis technology. LILIN integrates AIoT applications, edge computing, and security equipment into a total solution for cross-industry applications in industrial and commercial environments such as construction, transportation, shipping, ports, military, retail, office premises, schools, banks, entertainment venues, and factories, as well as adapting product capabilities to meet public facility needs in line with government strategies.

LILIN is committed to providing highly reliable products and services in the field of video integration and event analysis, such as license plate recognition, face recognition, advanced electronic fencing, vehicle, and pedestrian flow detection, social distance detection, mask detection, lost and found, and site safety applications.

### Headquarters

No. 20, Wugong 6th Road, New Taipei Industrial Park, Wugu District, New Taipei City 248  
inquiry@meritlilin.com  
www.meritlilin.com

TAIPEI | HONGKONG | MALAYSIA | AUSTRALIA | UNITED STATES | UNITED KINGDOM



Know More



Contact Us