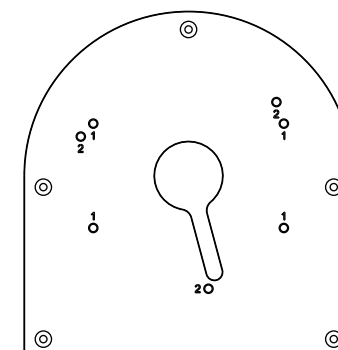
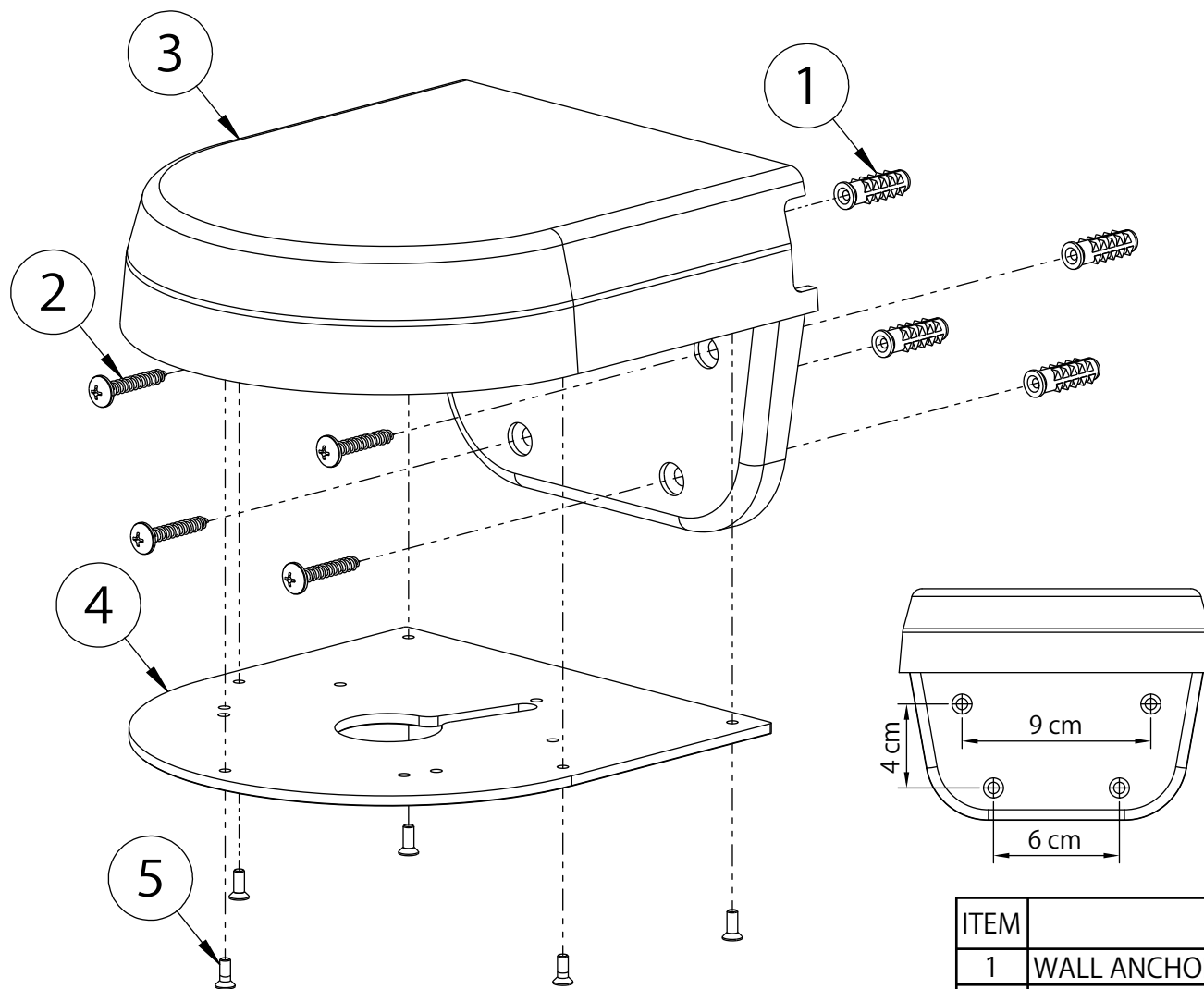
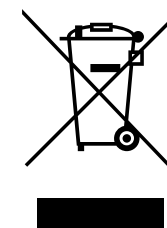
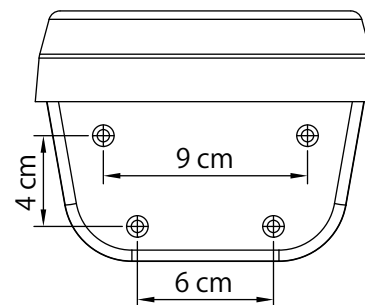


BTD04-V1

66-BD04V1CSB-1



HOLE POSITION DIAGRAM
孔位圖



SUPPORTED MODELS / 適用機型
HOLES 1 - V1R60 SERIES
HOLES 2 - V1R44 / V1R45 SERIES

ITEM	NAME / 名稱	Q'TY / 數量
1	WALL ANCHOR / 螺絲固定座	4
2	TAPPING SCREW / 自攻螺絲	4
3	WALL MOUNT HOUSING / 壁掛支架外殼	1
4	ADAPTER PLATE / 轉接板	1
5	FLAT HEAD SCREW / 平頭螺絲	5