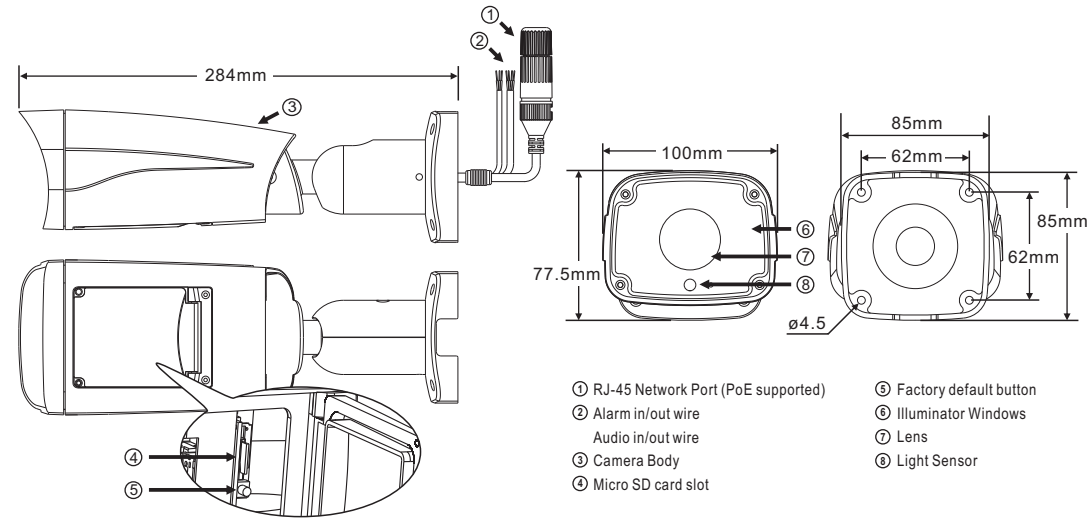




Warning: Do not throw your product in municipal waste. This product has been designed to enable proper reuse of parts and recycling. The symbol of the crossed out wheeled bin indicates that the product (electrical and electronic equipment) should not be placed in municipal waste. Check local regulation for disposal of electronics products.

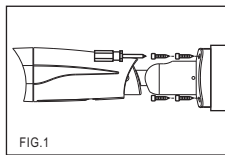
Part Description & Dimensions



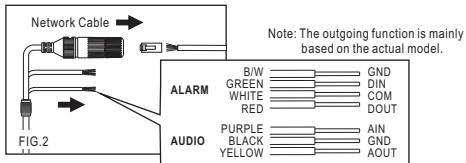
Installation

1. Remove the camera from the box first. Connect the Ethernet cable to the camera's RJ-45 network connector. Secure the camera in the desired location (FIG.1).

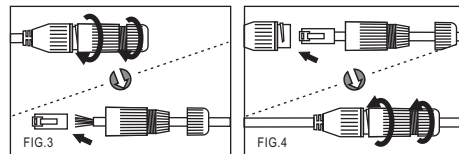
Note: For outdoor installation, it is recommended to install a waterproof junction box.



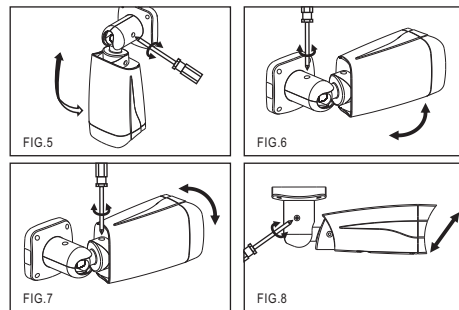
2. Attach the Ethernet to the RJ-45 connector (FIG.2).



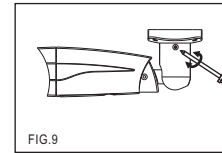
● Connect the RJ-45 Ethernet cable with a waterproof connector. First, remove the waterproof connector and unscrew the waterproof nut. Insert the Ethernet cable and connect to the RJ-45 connector with proper tools (FIG.3). Then, tighten the waterproof connector and nut before the RJ-45 connector is connected to the camera (FIG.4).



3. Adjust the five adjustment screws to move the camera to the desired angle, and then tighten the adjustment screws (FIG.5-8).



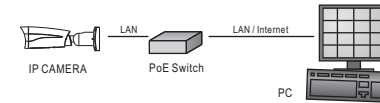
NOTE: The tightening torque for locking screws should not be greater than 10 kgf.cm to prevent product damage (FIG.9)!



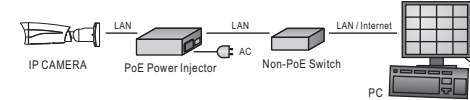
System Architectures

For connecting IP Camera series to the network, please follow one of the system architectures:

(1). Use with PoE of the network switch connected to the network.



(3). Use PoE power injector and the network switch connected to the network.



Before Accessing IP Cameras

Before accessing the IP camera, make sure that the camera's RJ-45 network, and power cables are properly connected. To set the IP address, consult your network administrator for an available IP address. The default IP address for each IP camera is 192.168.0.200. Users can use the default IP address for verifying the camera's network connection.

Emergency Factory Default

- To restore the hardware to factory default settings, please follow these steps:
- 1. Press and hold "RESET Key" for 10 seconds and release.
- 2. The camera will be restored to factory default settings after approximately 90 seconds and will reboot automatically.
- 3. Search for the IP device using the IPScan software.
- 4. Start the IP device via an Internet browser.
- 5. Enter the username and password to operate.

NOTE1: The factory default username and password are empty, and the user can set an account for login.

NOTE2: The IP address will revert to the default setting of 192.168.0.200.

Software Requirements

Universal ActiveX software components are required for web interface display of JPEG or Full HD video. When you login to the IP camera by Internet Explorer, the security warning dialog box will prompt the installation of the Universal ActiveX. Click **Install** to download it.

Configuring IP Addresses via Web Interface

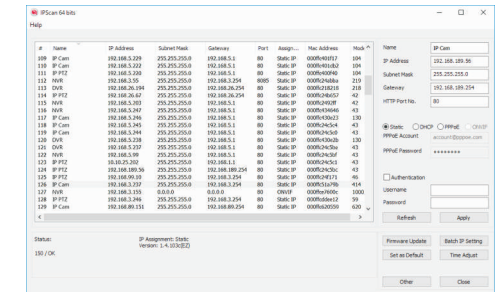
To change an IP address via web interface, type the default IP address (192.168.0.200) in the Internet browser and follow the steps below:

1. Login to the IP camera with the set username and password.
2. Click **Basic Mode** configuration hyperlink.
3. Click **Network->General** hyperlink.
4. Change the IP address, subnet mask, gateway, or HTTP port for the IP camera.
5. Click **Submit** to verify the settings.

Configuring IP Addresses with IPScan Software

To change the settings of the IP address, subnet mask, gateway, or HTTP port, you can follow the steps below:

1. Run the IPScan software.
2. Click **Refresh**. All available devices should be listed in the device list.
3. Select your device from the list provided.
4. Change the IP address, subnet mask, gateway, or HTTP port for the IP camera.
5. Click **Apply** to submit the settings.
6. Click **Refresh** to verify the settings.



Login

The factory default username and password are empty. To login to the Full HD IP camera, please set the username and password on the login page. Press [Login] to complete the setting and login simultaneously.



Password have to meet the following criteria:

1. More than or equal to 8 characters.
2. Allow uppercase letter, lowercase letter, number digit, and special character.
3. Must have at least three types of character sets.

